



# WP60 LED Wall Pack Light

The Ideal energy efficient replacement for existing 250 WATT metal halide wall packs. The WP series strikes the right balance between energy efficiency and exceptional bright, white light.



WP60	
	100V - 240V (480 optional)
	60 WATTS
	7,200 LM 120 Lm/W
	5,000 - 5,500K CCT      83 CRI
	11.5" x 9.5" x 9"
	60,000 HOURS
	Dark Bronze
	14 Lbs 6.3KG      IP65
	Five Year Warranty



83+ CRI  
Try Color  
Technology



Amerlight's  
LED Brightest  
in the Industry



Five Year  
Warranty

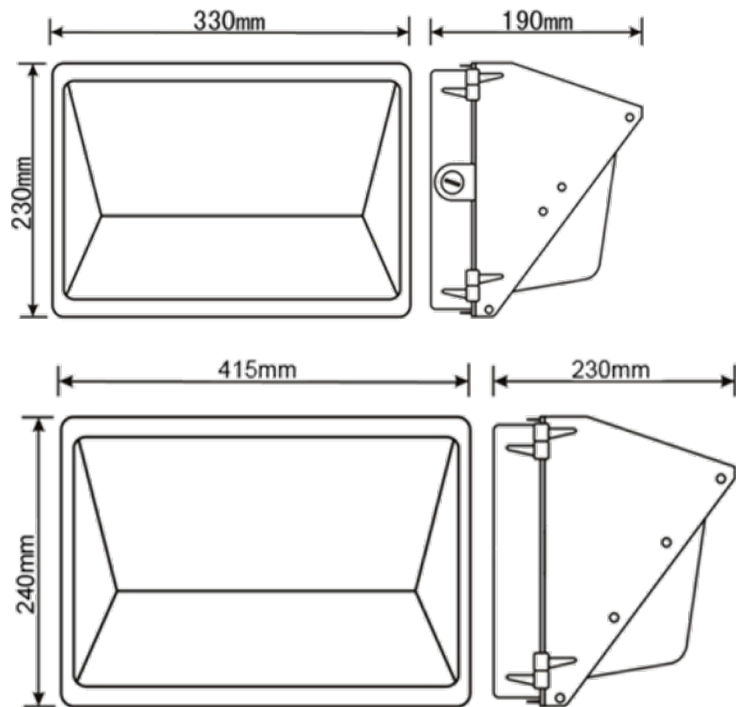
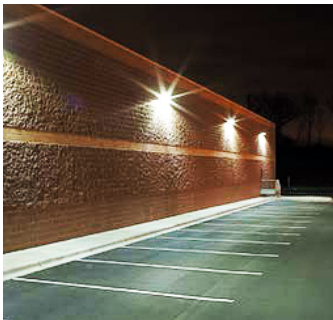
Designed and Assembled in the USA



**AMERLIGHT**  
Advanced LED Technology

amerlight.com

MORE LIGHT LESS ENERGY LOWER COST



## Installation

**CONSTRUCTION** — Heavy gauge die-cast aluminum housing with hinged opening to mount box to directly to the wall. Multiple internal fastener holes for mounting box directly to wall. Center knockout for S/O cord or side knockout available. Continuous silicone gasket surrounds lens for weather-tight seal. Lens: Thermal shock resistant tempered glass or plastic lens. Standard finish is dark bronze corrosion resistant electrostatic powder coated.



**AMERLIGHT**  
Advanced LED Technology

amerlight.com